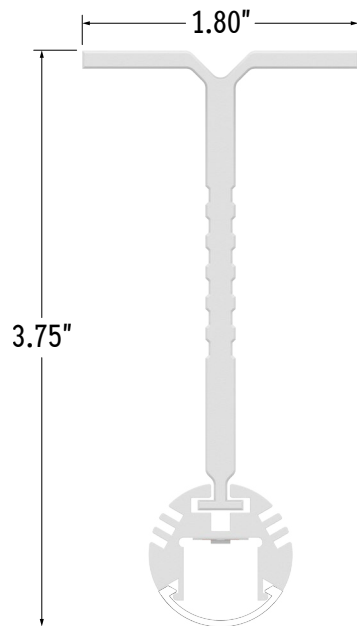


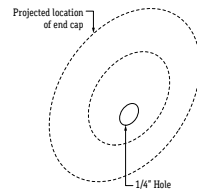
Perspective View



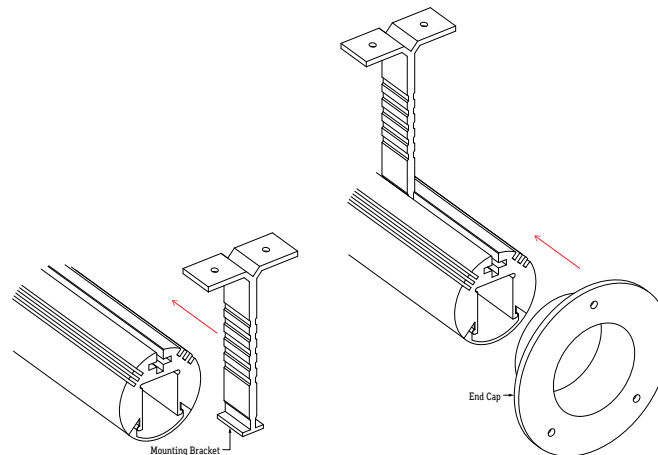
Assembled End View



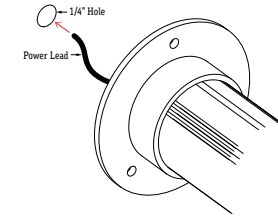
1. Measure area where fixtures will be installed. Use a chalk line to ensure a straight installation.
2. Mark location where mounting brackets will be installed. Use 1 mounting bracket every 2', evenly spaced. Round up if length is not divisible by 2.
Example: 7'6" = 4 Mounting Brackets.
3. Position mounting brackets and pre-drill using proper drill bit for surface and screw size.
Note: Use countersink screws appropriate for material of mounting surface.
4. Mark location where end caps will be installed. Drill a 1/4" hole in mounting surface where end cap will be mounted



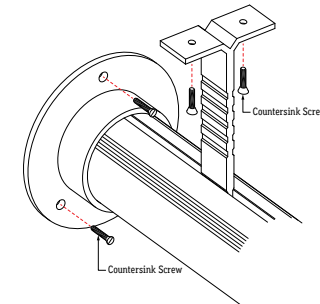
5. Slide mounting brackets into assembled fixture, then slide end caps on each end.



6. Feed power lead through hole and make wiring connections.
Note: Do not to pinch wires between end cap and mounting surface.



7. Position fixture in place, then screw mounting brackets to ceiling surface. After all mounting brackets have been mounted, mount end caps. Have one person hold fixture in place while another screws brackets and end caps to surface.



8. Perform a continuity test before connecting fixture to power source.