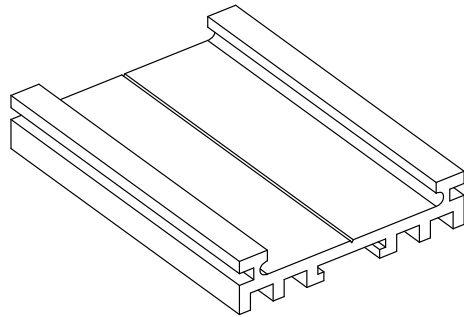
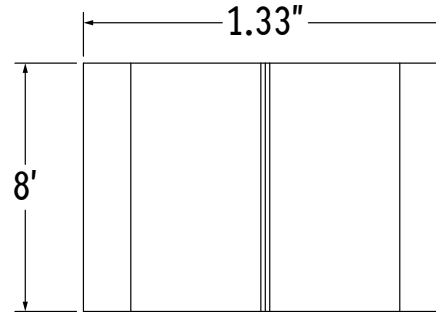


Isometric View

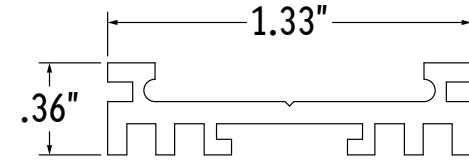


Top View



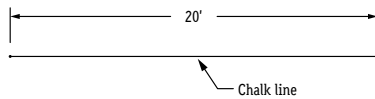
Standard 8' lengths shipped

End View



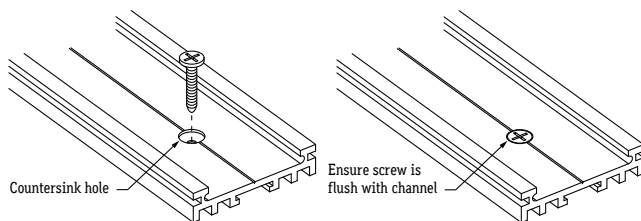
1. Measure area where LLED8350 will be installed.

RECOMMENDATION: Use chalk line to ensure a straight installation.

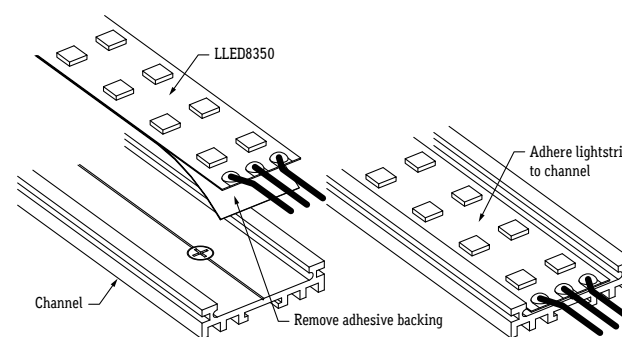


2. Drill holes as needed with drill bit and countersink, then screw channel to desired surface using countersink holes.

NOTE: Surface must be flat and screws must be flush with channel.

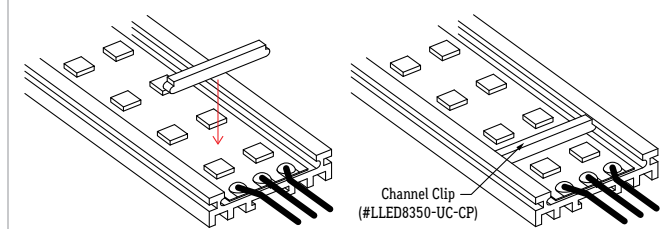


3. Remove adhesive backing from lightstrip, then install lightstrip into channel.



4. Install channel clips for downward-facing applications.

TIP: Use 2 clips per 1 foot if facing up, or 3 clips per 1 foot if facing down.



Assembled End View

