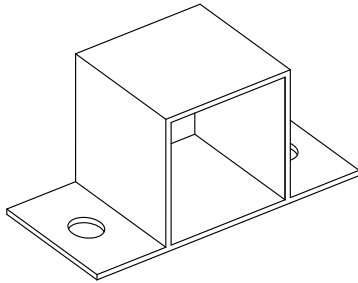
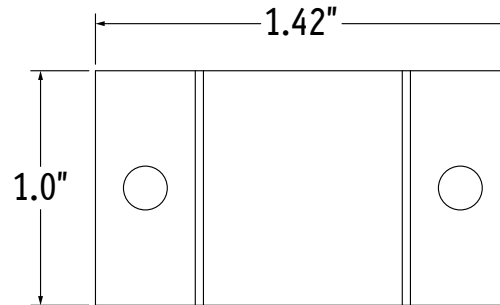


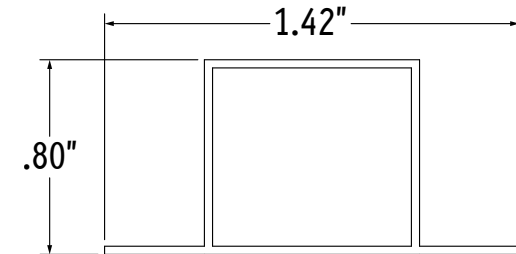
Isometric View



Top View

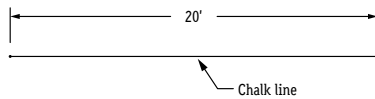


End View



**1. Measure area where LLED8000-ST will be installed.**

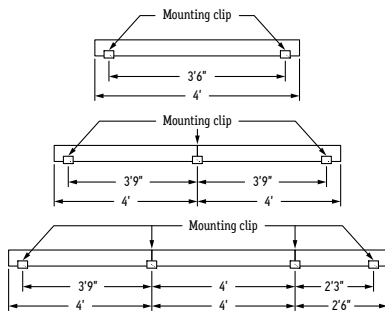
**RECOMMENDATION:** Use chalk line to ensure a straight installation.



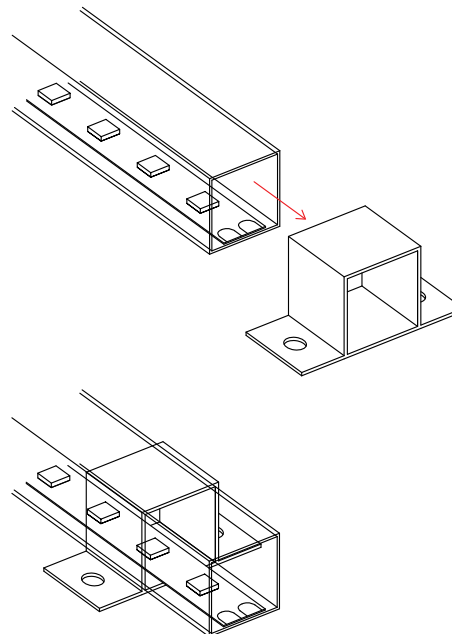
**2. Mark location where mounting clips will be installed.**

**TIP:** Quantity of mounting clips = quantity of fixture +1.

Use a mounting clip at the joint between two fixtures.

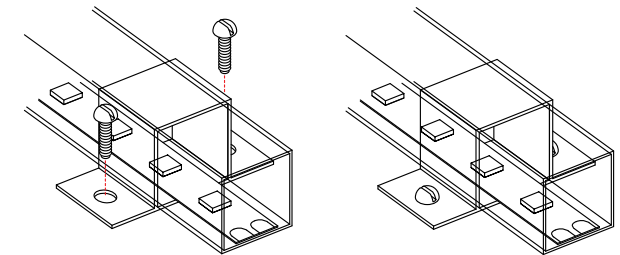


**3. Slide required amount of mounting clips onto tube and position fixture in place along chalk line.**



**4. Mark location of holes and pre-drill using proper drill bit for surface and screw size, then screw mounting clips to surface.**

**RECOMMENDATION:** 8/32 X 1" screw



**5. Apply silicone at both ends of each run to seal fixture (for wet location fixtures only).**

Assembled End View

