

GENERAL FEATURES

APPLICATIONS	Wall Washing Lighting
LENS	Tempered Clear Glass Lens
OPTICS AND ASYMMETRIC	10° - 60° or Asymmetric Optics
LENGTH	Built to Order (2', 3', or 4' Increments)
CONSTRUCTION	Aluminum Extrusion
DRIVER	Integral
WEIGHT	5.6 lbs (2'), 7.9 lbs (3'), 11.2 lbs (4')
MOUNTING	Mounting Clips
LISTING	Dry or Wet (IP65 or IP67) Location UL1598, CSA C22.2#250.0 UL8750, CSA250 UL2108, CSA C22.2 #9
TEMPERATURE RATINGS	Operating / Startup: -20° to 48°C (-4° to 120°F) Storage: -40° to 76°C (-40° to 170°F)
INSTALLATION	Link to Installation Instructions



HOW TO ORDER

- 1 Generate product code based on specification options.
Example: ALS600T-AD-RGBW-45D-8W-DMX-EF-WET-UNV
- 2 Specify Runs Lengths.
Example: 1 @ 22', 1 @ 15', 1 @ 31'.
- 3 Specify Accessories. Refer to Accessories page, Installation Instructions, and Cut Sheets to determine number of Connectors, Mounting Clips, End Caps, and other accessories needed.

TYPE

PROJECT

NOTES

ABOUT

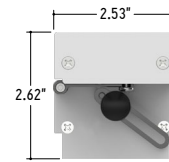
- High output, adjustable angle luminaire system suitable for wall washing, grazing, and façade lighting in harsh outdoor environments.
- Available with a variety of optics, color temperatures, watts per foot, finish options, and accessories.
- Easy to install, plug and play system.

LENS

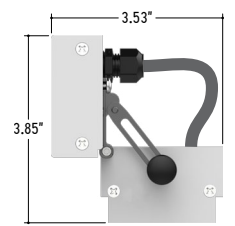


Tempered Clear Glass Lens
(ALS600T-AD-CGL)

END VIEWS

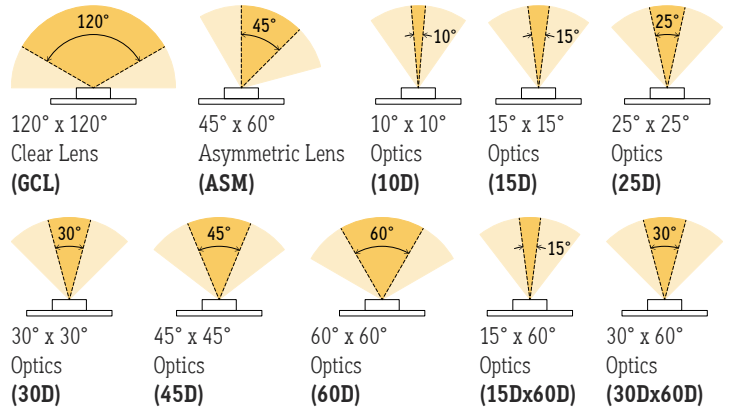


0° Tilt
(Minimum Angle)



90° Tilt
(Maximum Angle)

BEAM ANGLES



Note: End View Spread (First Angle). Linear Spread (Second Angle)

FEED POINT



End Feed (EF)



CALIFORNIA
ACCENT
LIGHTING
INC

ALS600T-AD-RGBW

WALL GRAZING / WALL WASHING

R G B W

Features & Specifications

LAMP SPECIFICATIONS

LAMP NUMBER	DESCRIPTION	EFFICACY (Lumens per Watt)	L70 LED LIFE
RGBW	Red, Green, Blue, White. All Colors @ Full Output	78	40,000 hours
R	Red @ Full Output	56	
G	Green @ Full Output	79	
B	Blue @ Full Output	45	
W	White (3000K) @ Full Output	124	

LAMP FEATURES

LAMP TYPE	High Output LEDs (No Mercury)
CRI	> 84 (Based on White @ Full Output)
EFFICACY	124 Delivered Lumens per Watt (Based on White at Full Output)

ELECTRICAL

DIMMING	DMX
MAXIMUM RUN (Line Voltage)	40' (3W, 5W, 6W, 8W) 35' (9W), 26' (12W), 21' (15W)
LUMINAIRE VOLTAGE	120V - 277V (UNV)

SPECIFY PRODUCT CODE | CHOOSE FROM DROP DOWNS

SERIES	LED	OPTICS	FINISH	WATTS PER FOOT	DIMMING	FEED POINT	LISTING	LUMINAIRE VOLTAGE	LUMINAIRE LENGTH*4
ALS600T-AD	RGBW	-	-	-	DMX	-	-	UNV	-
ALS600T-AD	Color Changing: Red, Green, Blue, 3000K White (RGBW)	Clear Glass Lens*1 (CGL)	White (WH)	3 Watts : 372 Lumens/ft (3W)	DMX-512*2 (DMX)	End Feed (EF)	Indoor (DRY)	120V - 277V Line Voltage*3 (UNV)	Specify Lengths in 1' Increments Example: 22'
		Asymmetric Lens (ASM)	Black (BK)	5 Watts : 620 Lumens/ft (5W)		Bottom Feed (BF)	Outdoor IP65 (WET)		
		10° x 10° (10D)	Satin (SA)	6 Watts : 744 Lumens/ft (6W)			Side Feed (SF)	Outdoor IP67 (IP67)	
		15° x 15° (15D)							
		25° x 25° (25D)		8 Watts : 992 Lumens/ft (8W)					
		30° x 30° (30D)							
		45° x 45° (45D)		9 Watts : 1116 Lumens/ft (9W)					
		60° x 60° (60D)							
		15° x 60° (15Dx60D)		12 Watts : 1488 Lumens/ft (12W)					
		30° x 60° (30Dx60D)		15 Watts : 1860 Lumens/ft (15W)					

Note: Maximum length for line voltage (Integral Driver) is 320 watts per run. **Example:** 320 watts ÷ 8 watts per foot = 40 feet max run.

*1 Clear Glass Lens (120°)

*2 Default DMX address of each fixture is 001. Consult third party DMX commissioner to modify at time of installation. 2' minimum luminaire length.

*3 Integral drivers wattage sized based on length of run. **Example:** 5' run x 3 watts per foot = 15 watts. Driver will be sized to 15 watts maximum.

*4 Lengths that deviate from the 1' increment will be sized to the nearest smaller increment.

CALIFORNIA ACCENT LIGHTING, INC.

2820 E. Gretta Lane, Anaheim, CA 92806

ph. 800.921.CALI (2254) | fx. 714.535.7902 | info@calilighting.com | calilighting.com

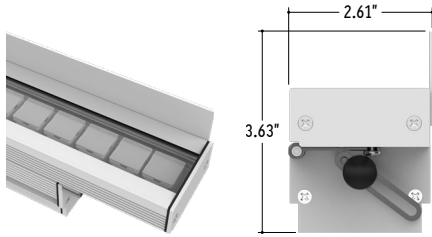
© CALI. All rights reserved. CALI reserves the right to make changes or withdraw specifications without prior notice.

alumLEDs™
Manufactured in the U.S.A.

4 / 16 / 2021 / Rev 1

Page 2 of 6

ACCESSORIES (Sold Separately - Click on Image to View Installation Cut Sheet, if Applicable)

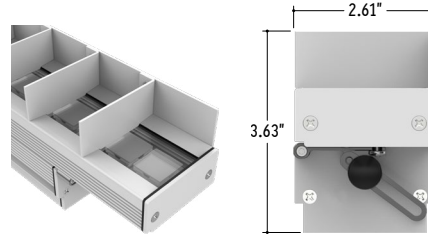


Reflector
(ALS600T-AD-RE1)

REFLECTOR

PART #	LENGTH
ALS600T-AD-RE1	-

Note: Available in 1', 2', 3', or 4' increments.
Specify total length of reflectors needed.



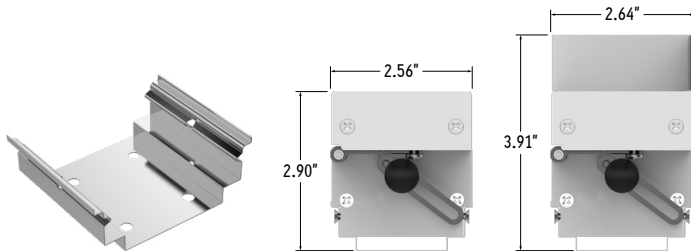
Louver
(ALS600T-AD-LVR)

LOUVER

PART #	LENGTH
ALS600T-AD-LVR	-

Note: Available in 1' increments.
Specify total length of louvers needed.

MOUNTING CLIPS (Sold Separately - Click on Image to View Installation Cut Sheet)



Mounting Clip
(ALS600T-AD-MC)

MOUNTING CLIP

PART #	QTY.
ALS600T-AD-MC	/

Note: Use 1 Mounting Clip per 2', rounded up.
Refer to cut sheet or installation instructions for additional information.



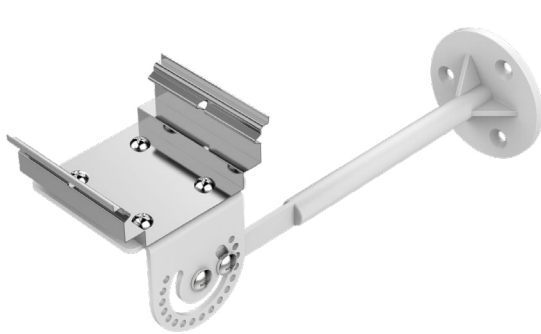
Stake Mounting Clip
(ALS600T-AD-MC-STK)

STAKE MOUNTING CLIP

PART #	QTY.
ALS600T-MC-STK	/

Note: Use 1 Mounting Clip per 2', rounded up.
Refer to cut sheet or installation instructions for additional information.

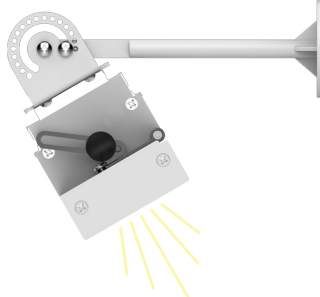
MOUNTING ARMS (Sold Separately - Click on Image to View Installation Cut Sheet)



Bottom-Mount Adjustable Arm
(ALS600T-AD-AA-BM-X)
X = Specify Length, 4" Min, 18" Max

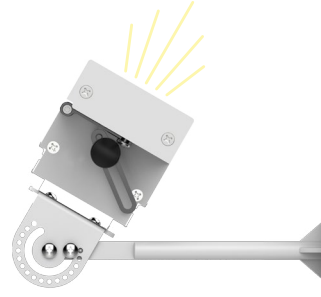
BOTTOM MOUNT ADJUSTABLE ARM

PART #	LENGTH	QTY.
ALS600T-AD-AA-BM	-	/



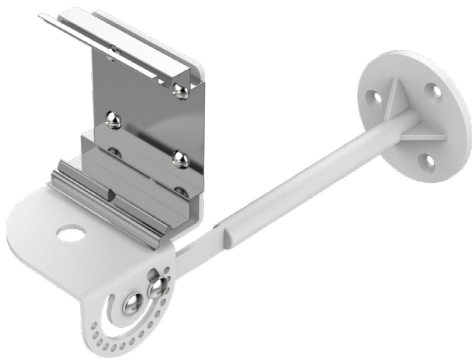
-30° Tilt

Tilt either direction in 15° increments.
Minimum Tilt: -30° downward, towards mounting surface
Maximum Tilt: 210° upward, towards mounting surface



210° Tilt

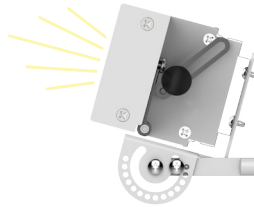
Note: Use 2 Mounting Arms per luminaire segment.
Refer to cut sheet or installation instructions for additional information.



Side-Mount Adjustable Arm
(ALS600T-AD-AA-SM-X)
X = Specify Length, 4" Min, 18" Max

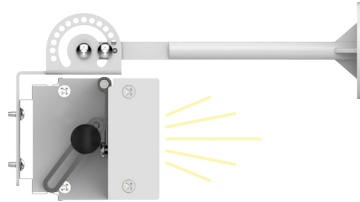
SIDE MOUNT ADJUSTABLE ARM

PART #	LENGTH	QTY.
ALS600T-AD-AA-SM	-	/



-105° Tilt

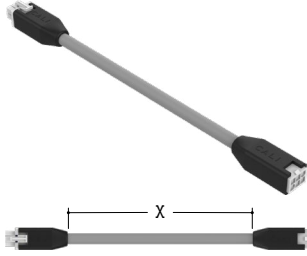
Tilt either direction in 15° increments.
Minimum Tilt: -105° outward, away from mounting surface
Maximum Tilt: 90° inward, toward mounting surface



90° Tilt

Note: Use 2 Mounting Arms per luminaire segment.
Refer to cut sheet or installation instructions for additional information.

CONNECTORS (Sold Separately)



Jumper Cable

(ALS600T-AD-RGBW-JC-X) X = Specify Length

JUMPER CABLE		
PART #	LENGTH	QTY.
ALS600T-AD-RGBW-JC -		/

DMX CONTROLLERS (Sold Separately - Click on Image to View Installation Cut Sheet)



Standard DMX Controller
(DMX-128C)

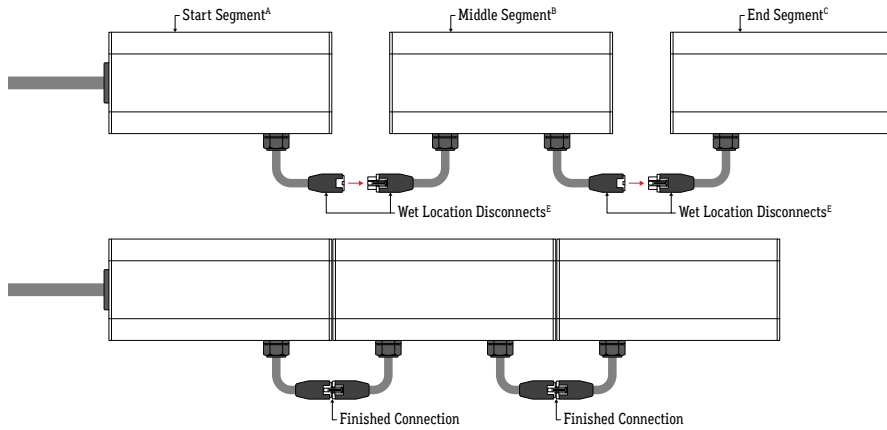
STANDARD CONTROLLER	
PART #	QTY.
DMX-128C	/



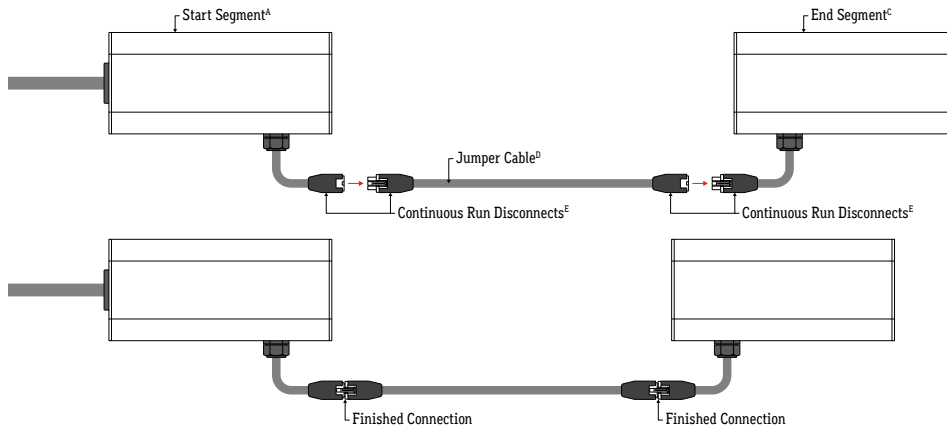
Color Wheel DMX Controller
(DMX-1024C)

COLOR WHEEL CONTROLLER	
PART #	QTY.
DMX-1024C	/

CONTINUOUS RUN



RUN WITH JUMPER CABLE (Wet Location)



A	Start Segment: The first segment a run. One end has assembled power lead, and the other end has Continuous Run Disconnects.
B	Middle Segment: The middle segment of a run. Each end has Continuous Run Disconnects.
C	End Segment: The last segment of a run. One end has Continuous Run Disconnects, and the other end has and End Cap.
D	Jumper Cable: Used when a gap is needed between two segments on the same circuit.
E	Continuous Run Disconnects: Used to connect a segment to the next segment in line, or an accessory such as a Jumper Cable.