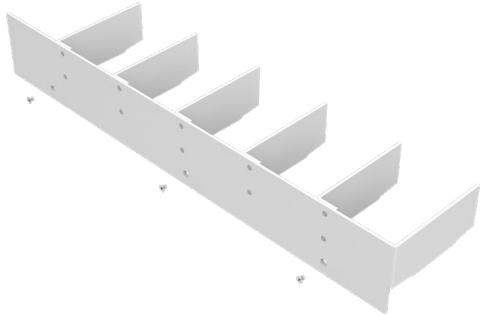
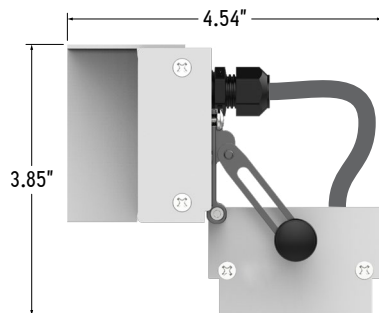
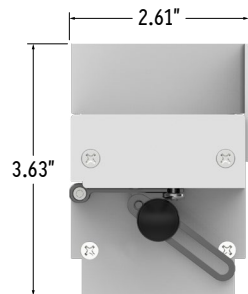


## Perspective View



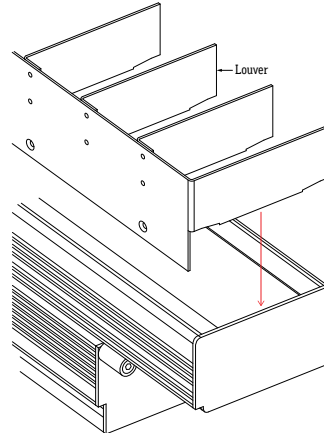
## Assembled End Views



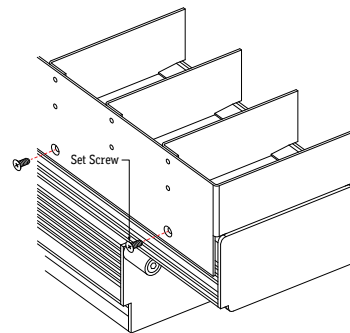
- Determine number of Louvers needed. Each Louver is 1' long.

**Note:** 1 Louver per 1' luminaire.  
2 Louvers per 2' luminaire.  
3 Louvers per 3' luminaire.  
4 Louvers per 4' luminaire.

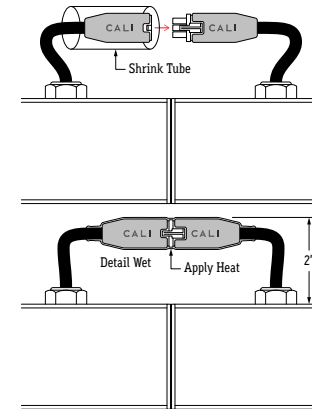
- Place Louver or Louvers centered on top of luminaire.



- Install 3 set screws on each Louver to secure in place, for a total of 6 screws for each Louver. Do not over tighten set screws.



- If applicable, connect disconnects between luminaires. Slide shrink tube over connectors and apply heat. The shrink tube will shrink down, sealing the connectors. Apply silicone around sealed connectors for a stronger seal.



- Mount a minimum of 12" away from the wall.

