

GENERAL FEATURES

| | |
|------------------------------|---|
| APPLICATIONS | Wall Washing Lighting |
| LENS | Tempered Clear Glass Lens |
| OPTICS AND ASYMMETRIC | 10° - 60° or Asymmetric Optics |
| LENGTH | Built to Order (2', 3', or 4' Increments) |
| CONSTRUCTION | Aluminum Extrusion |
| DRIVER | Integral |
| WEIGHT | 5.6 lbs (2'), 7.9 lbs (3'), 11.2 lbs (4') |
| MOUNTING | Mounting Clips |
| LISTING | Dry or Wet (IP65 or IP67) Location UL1598, CSA C22.2#250.0 UL8750, CSA250 UL2108, CSA C22.2 #9 |
| TEMPERATURE RATINGS | Operating / Startup: -20° to 48°C (-4° to 120°F) Storage: -40° to 76°C (-40° to 170°F) |
| INSTALLATION | Link to Installation Instructions |



COMPATIBLE CONTROL INTERFACES

- 0-10V
- DALI2
- DMX
- Acuity Controls / nLight
- eldoLED
- Distech Controls
- Legrand
- Wattstopper
- Pass & Seymour
- Leviton
- Crestron / Cresnet / SolarSync
- Eaton
- Tridonic / Bluetooth

TYPE

PROJECT

NOTES

ABOUT

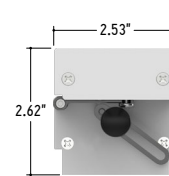
- High output, adjustable angle luminaire system suitable for wall washing, grazing, and façade lighting in harsh outdoor environments.
- Available with a variety of optics, watts per foot, and finish options.
- Easy to install, plug and play system.

LENS

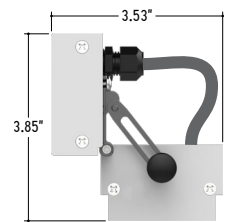


Tempered Clear Glass Lens
(ALS600T-AD-CGL)

END VIEWS

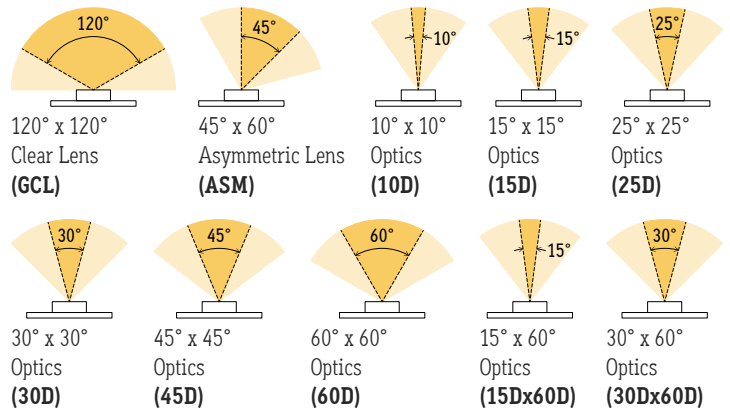


0° Tilt
(Minimum Angle)



90° Tilt
(Maximum Angle)

BEAM ANGLES



Note: End View Spread (First Angle). Linear Spread (Second Angle)

FEED POINT



End Feed (EF)



CALIFORNIA
ACCENT
LIGHTING
INC

ALS600T-AD-CT

WALL GRAZING / WALL WASHING

Features & Specifications

COLOR
TUNING

LAMP SPECIFICATIONS

| LAMP NUMBER | EFFICACY (LUMENS PER WATT) | L70 LED LIFE |
|-------------|----------------------------|--------------|
| 20K - 35K | 122 | 60,000 hours |
| 27K - 65K | 142 | |

Note: Lumens per Watt values based on highest tested CCT value (3500K or 6500K). Refer to next page for more detailed photometry data.

LAMP FEATURES

| | |
|-----------|-------------------------------|
| LAMP TYPE | High Output LEDs (No Mercury) |
| CRI | > 91 |

ELECTRICAL

| | |
|-------------------|------------------------------------|
| DIMMING | 0-10V, DMX, DALI (Type 6) |
| MAXIMUM RUN | 40' (1.5W, 2W, 3W, 4W, 5W, 6W, 7W) |
| LUMINAIRE VOLTAGE | 120V - 277V (UNV) |

SPECIFY PRODUCT CODE | CHOOSE FROM DROP DOWNS

| SERIES | OPTICS | FINISH | CCT GAMUT | | WATTS PER FOOT | CONTROL INTERFACE | FEED POINT | LISTING | LUMINAIRE VOLTAGE | LUMINAIRE LENGTH |
|-----------------|---|---------------|----------------------------|----------------------------|------------------------------|-------------------------------|--------------------------------|------------------------|--|---|
| | | | LOW CCT | HIGH CCT | | | | | | |
| ALS600T-AD-CT - | - | - | - | - | - | - | EF | - | UNV | - |
| ALS600T-AD-CT | Clear Glass Lens* ¹ (CGL) | White (WH) | 2000K (20K) 2200K (22K) | 3000K (30K) 3500K (35K) | 1.5 Watts (1.5W) | DALI* ² (DALI) | End Feed (EF) | Indoor (DRY) | 120V - 277V Line Voltage* ⁴ (UNV) | Specify Lengths in 1' Increments Example: 22' |
| | Asymmetric Lens (ASM) | Black (BK) | 2400K (24K) 2700K (27K) | 4000K (40K) 4500K (45K) | 2 Watts (2W) 3 Watts (3W) | 0-10V: 100% - .1% (10V) | | Outdoor IP65 (WET) | | |
| | 10° x 10° (10D) | Satin (SA) | | 5000K (50K) | 4 Watts (4W) | | | Outdoor IP67 (IP67) | | |
| | 15° x 15° (15D) | | | | 5500K (55K) | 5 Watts (5W) | DMX-512* ³ (DMX) | | | |
| | 25° x 25° (25D) | | | 6000K (60K) | 6 Watts (6W) | | | | | |
| | 30° x 30° (30D) | | | 6500K (65K) | 7 Watts (7W) | | | | | |
| | 45° x 45° (45D) | | | | | | | | | |
| | 60° x 60° (60D) | | | | | | | | | |
| | 15° x 60° (15Dx60D) | | | | | | | | | |
| | 30° x 60° (30Dx60D) | | | | | | | | | |

Note: Maximum length for line voltage (Integral Driver) is 320 watts per run. **Example:** 320 watts ÷ 8 watts per foot = 40 feet max run.

*¹ Clear Glass Lens (120°)

*² DALI commissioning to be performed by a third party at time of installation. CALI does not provide DALI commissioning.

*³ Default DMX address of each fixture is 001. Consult third party DMX commissioner to modify at time of installation.

*⁴ Integral drivers wattage sized based on length of run. **Example:** 5' run x 7 watts per foot = 35 watts. Driver will be sized to 35 watts maximum.

HOW TO ORDER

1 Specify Run Lengths.

Example: 5 Runs @ 40'.

2 Specify Control Interface. See ordering table for available options.

Example: DALI Control Interface.

3 Specify Control Style. Standalone Controls or Third-Party Controls.

If Third Party Controls is specified, each fixture will ship ready to be integrated into a control system. Control devices, commissioning, and accessories for Third-Party Controls solutions by others.

If Standalone Controls is specified, select a Control Device that is compatible with your Control Interface selection.

Example: Select the DALI Control Panel for One-Room DALI solutions.

See Page 6 for Control Device details.

4 Specify number of Master Control Fixtures required. A Master Control Fixture is the first fixture of each sequence up to the Maximum Run (40'). Master Control Fixture quantity must be specified.

Example: 5 Runs @ 40' will require 5 MCFs. In this scenario, each MCF will be 4' in length by default.

5 Specify Accessories. Accessories must be ordered in appropriate quantities to install correctly. Refer to Mounting Clip cut sheets to determine number of mounting clips required.

CALIFORNIA ACCENT LIGHTING, INC.

2820 E. Gretta Lane, Anaheim, CA 92806

ph. 800.921.CALI (2254) | fx. 714.535.7902 | info@calilighting.com | calilighting.com

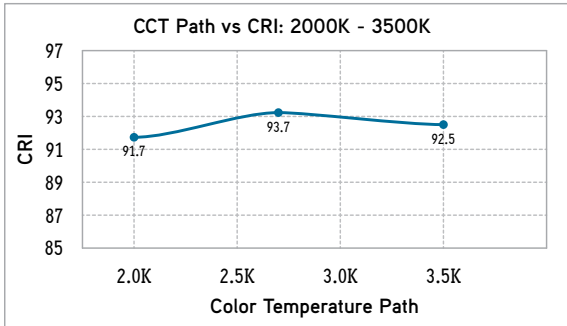
© CALI. All rights reserved. CALI reserves the right to make changes or withdraw specifications without prior notice.

alumLEDs™
Manufactured in the U.S.A.

5 / 20 / 2021 / Rev 1

Page 2 of 7

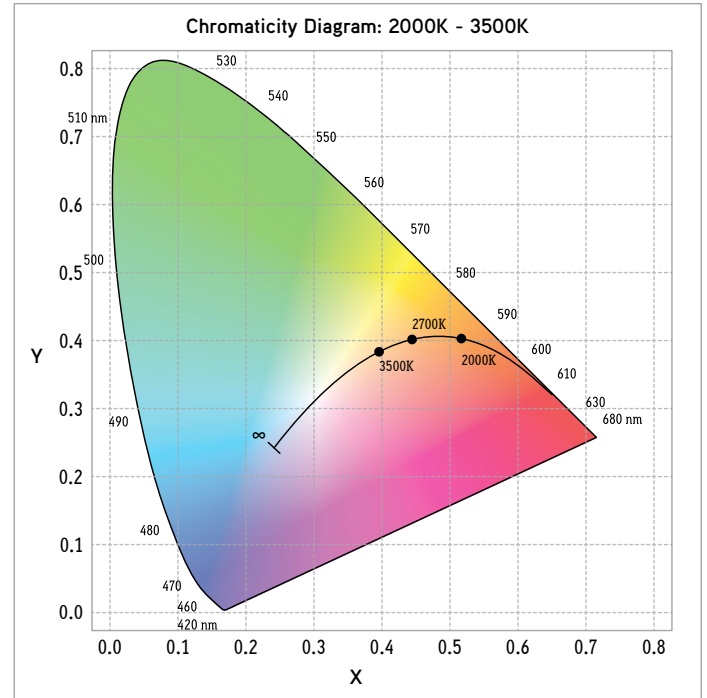
PHOTOMETRIC DATA: 2000K - 3500K



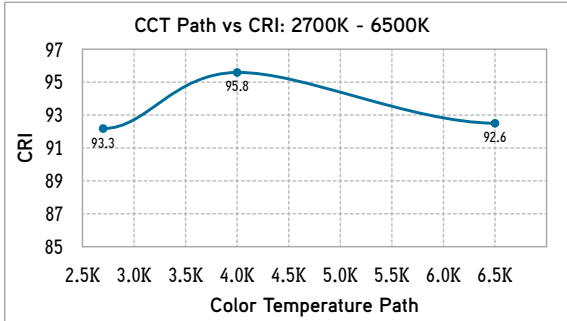
LAMP SPECIFICATIONS

| LAMP NUMBER | EFFICACY (LUMENS PER WATT) | L70 LED LIFE |
|-------------|----------------------------|--------------|
| 20K - 35K | 122 | 60,000 hours |

Note: Lumens per Watt values based on highest tested CCT value (3500K).



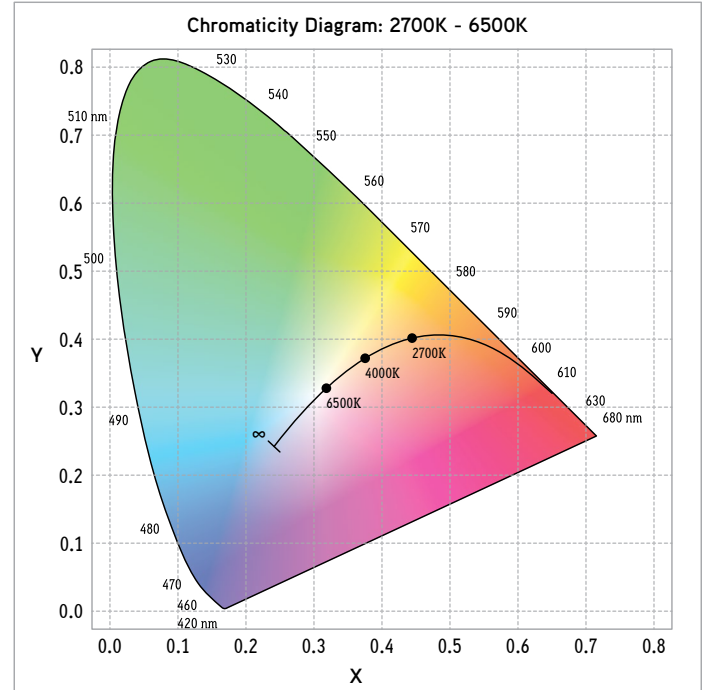
PHOTOMETRIC DATA: 2700K - 6500K



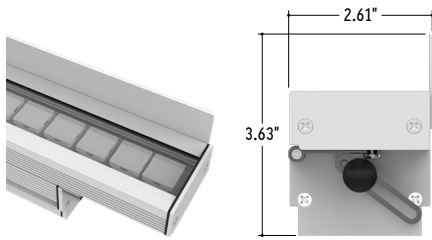
LAMP SPECIFICATIONS

| LAMP NUMBER | EFFICACY (LUMENS PER WATT) | L70 LED LIFE |
|-------------|----------------------------|--------------|
| 27K-65K | 142 | 60,000 hours |

Note: Lumens per Watt values based on highest tested CCT value (6500K).



ACCESSORIES (Sold Separately - Click on Image to View Installation Cut Sheet, if Applicable)

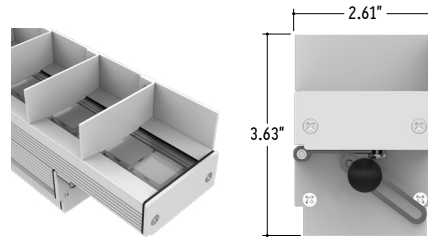


Reflector
(ALS600T-AD-RE1)

REFLECTOR

| PART # | LENGTH |
|----------------|--------|
| ALS600T-AD-RE1 | - |

Note: Available in 1', 2', 3', or 4' increments.
Specify total length of reflectors needed.



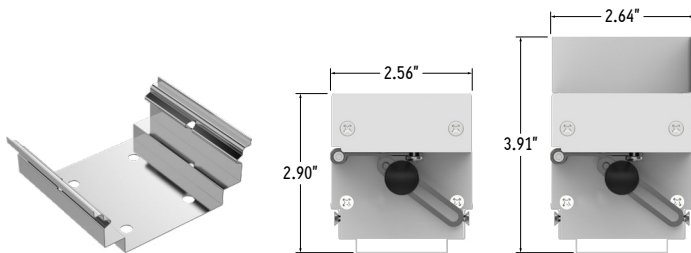
Louver
(ALS600T-AD-LVR)

LOUVER

| PART # | LENGTH |
|----------------|--------|
| ALS600T-AD-LVR | - |

Note: Available in 1' increments.
Specify total length of louvers needed.

MOUNTING CLIPS (Sold Separately - Click on Image to View Installation Cut Sheet)



Mounting Clip
(ALS600T-AD-MC)

MOUNTING CLIP

| PART # | QTY. |
|---------------|------|
| ALS600T-AD-MC | / |

Note: Use 1 Mounting Clip per 2', rounded up.
Refer to cut sheet or installation instructions for additional information.



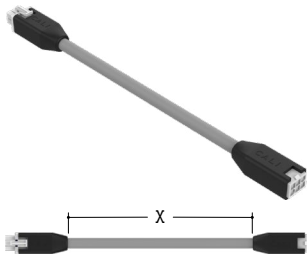
Stake Mounting Clip
(ALS600T-AD-MC-STK)

STAKE MOUNTING CLIP

| PART # | QTY. |
|----------------|------|
| ALS600T-MC-STK | / |

Note: Use 1 Mounting Clip per 2', rounded up.
Refer to cut sheet or installation instructions for additional information.

CONNECTORS (Sold Separately)

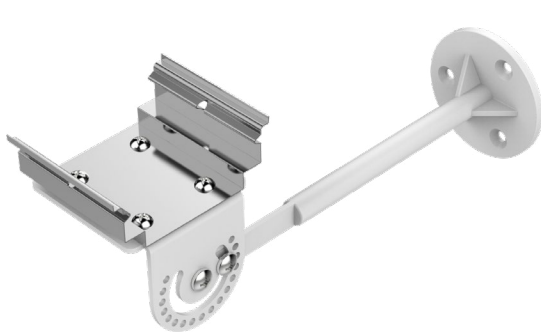


Jumper Cable
(ALS600T-AD-CT-JC-X) X = Specify Length

JUMPER CABLE

| PART # | LENGTH | QTY. |
|------------------|--------|------|
| ALS600T-AD-CT-JC | - | / |

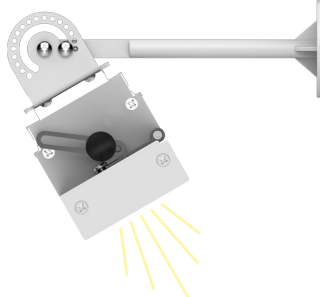
MOUNTING ARMS (Sold Separately - Click on Image to View Installation Cut Sheet)



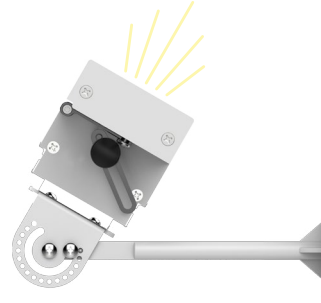
Bottom-Mount Adjustable Arm
(ALS600T-AD-AA-BM-X)
X = Specify Length, 4" Min, 18" Max

BOTTOM MOUNT ADJUSTABLE ARM

| PART # | LENGTH | QTY. |
|------------------|--------|------|
| ALS600T-AD-AA-BM | - | / |



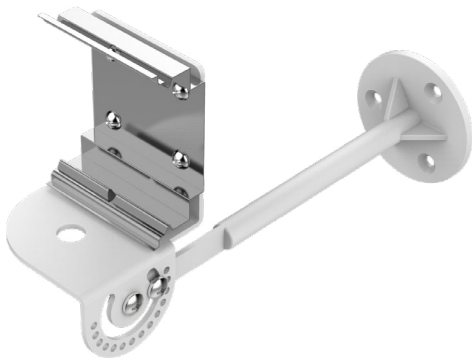
-30° Tilt



210° Tilt

Tilt either direction in 15° increments.
Minimum Tilt: -30° downward, towards mounting surface
Maximum Tilt: 210° upward, towards mounting surface

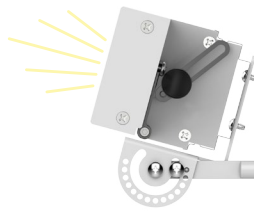
Note: Use 2 Mounting Arms per luminaire segment.
Refer to cut sheet or installation instructions for additional information.



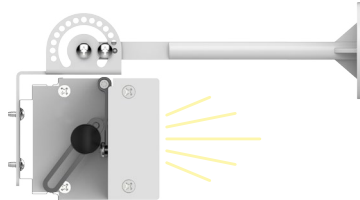
Side-Mount Adjustable Arm
(ALS600T-AD-AA-SM-X)
X = Specify Length, 4" Min, 18" Max

SIDE MOUNT ADJUSTABLE ARM

| PART # | LENGTH | QTY. |
|------------------|--------|------|
| ALS600T-AD-AA-SM | - | / |



-105° Tilt

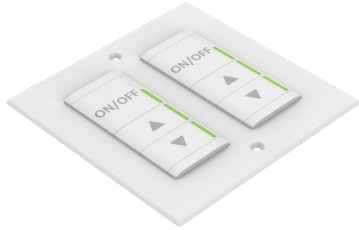


90° Tilt

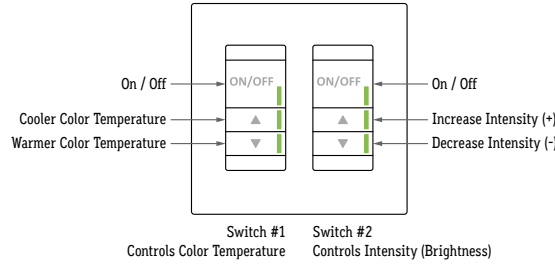
Tilt either direction in 15° increments.
Minimum Tilt: -105° outward, away from mounting surface
Maximum Tilt: 90° inward, toward mounting surface

Note: Use 2 Mounting Arms per luminaire segment.
Refer to cut sheet or installation instructions for additional information.

10V CONTROL SWITCH (Sold Separately)



10V Control Switch
(CTRL-CT-10V)



FEATURES

- Two switches are used to operate Color Tuning with 10V controls. One switch controls the color temperature and the other switch controls intensity / brightness.

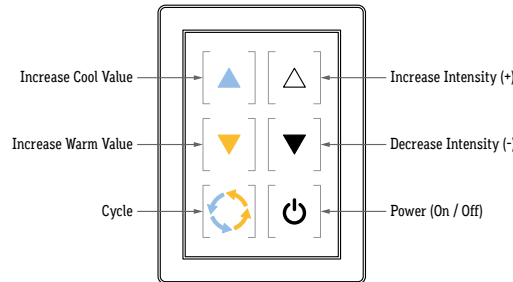
10V CONTROL SWITCH

| PART # | QTY. |
|-------------|------|
| CTRL-CT-10V | / |

DALI TOUCH PANEL (Sold Separately)



DALI Control Touch Panel
(CTRL-CT-DALI)



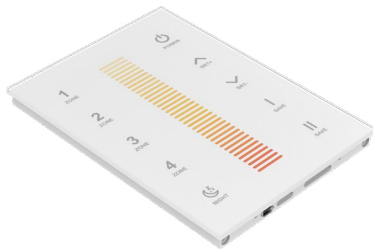
FEATURES

- The Touch Panel is connected directly to the DALI line.
- The color temperature range can be defined by the user.

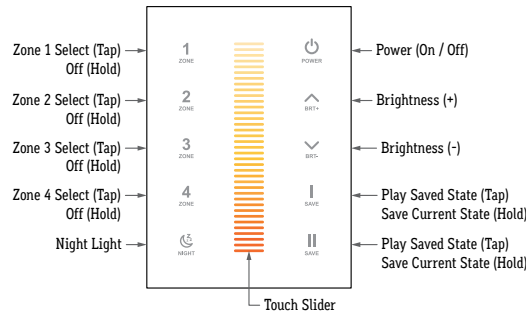
DALI TOUCH PANEL

| PART # | QTY. |
|--------------|------|
| CTRL-CT-DALI | / |

DMX TOUCH PANEL (Sold Separately)



DMX Control Touch Panel
(CTRL-CT-DMX)



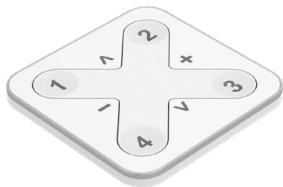
FEATURES

- Allows wireless control with WiFi or remote controller.
- Controls up to 4 zones of lighting.
- 2 saved scenes.

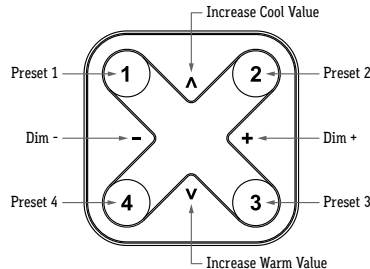
DMX TOUCH PANEL

| PART # | QTY. |
|-------------|------|
| CTRL-CT-DMX | / |

BLUETOOTH WIRELESS CONTROL PANEL (Sold Separately)



Bluetooth Wireless Control Panel
(CTRL-CT-BT)



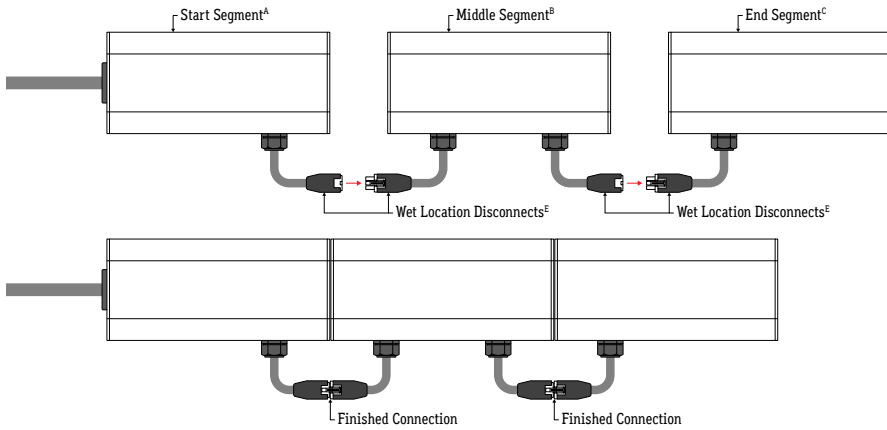
FEATURES

- Battery powered, wireless connection.
- 4 saved scenes.
- Individual or group control of luminaires.

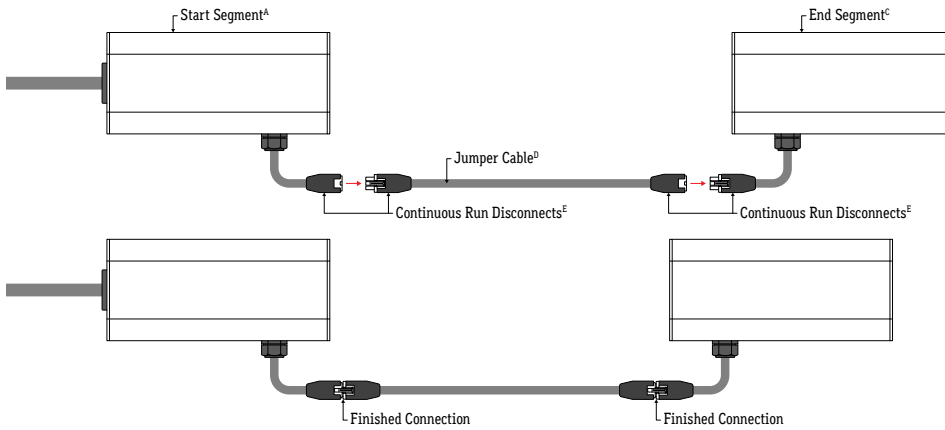
BLUETOOTH CONTROL PANEL

| PART # | QTY. |
|------------|------|
| CTRL-CT-BT | / |

CONTINUOUS RUN



RUN WITH JUMPER CABLE (Wet Location)



| | |
|---|--|
| A | Start Segment: The first segment a run. One end has assembled power lead, and the other end has Continuous Run Disconnects. |
| B | Middle Segment: The middle segment of a run. Each end has Continuous Run Disconnects. |
| C | End Segment: The last segment of a run. One end has Continuous Run Disconnects, and the other end has an End Cap. |
| D | Jumper Cable: Used when a gap is needed between two segments on the same circuit. |
| E | Continuous Run Disconnects: Used to connect a segment to the next segment in line, or an accessory such as a Jumper Cable. |