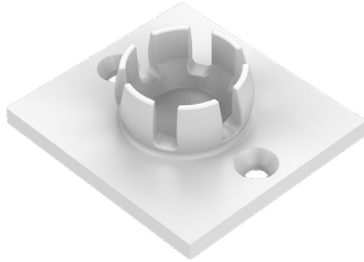
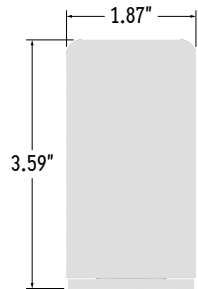


Perspective View

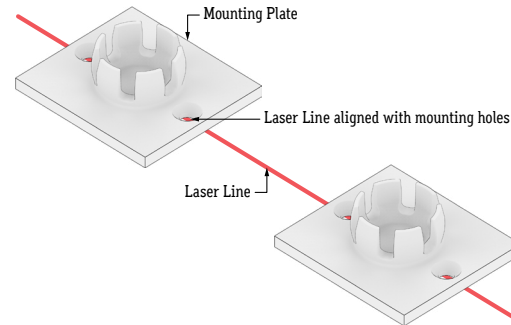


Assembled End View



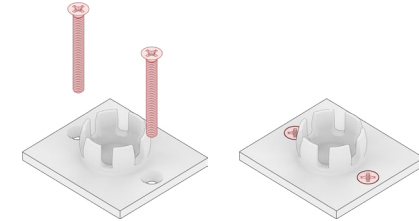
MOUNTING INSTRUCTIONS

1. Measure area where luminaire will be installed. Use a laser line to ensure a straight installation.
2. Determine number of Mounting Plates needed for each run. Refer to Mounting Guidelines above to ensure correct number of Mounting Plates.
3. Mark location where Mounting Plates will be installed along laser line.
Note: Mounting holes on Mounting Plates must be aligned with direction of luminaire.

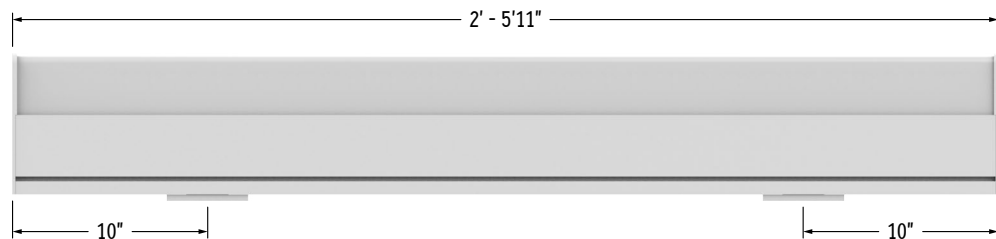


4. Lay Mounting Plates and pre-drill using proper drill bit for surface and screw size. Each mounting plate must be secured to a solid surface such as a wall stud or secured to drywall using drywall anchors.
Note: Only install Mounting Plates on flat, even surfaces.

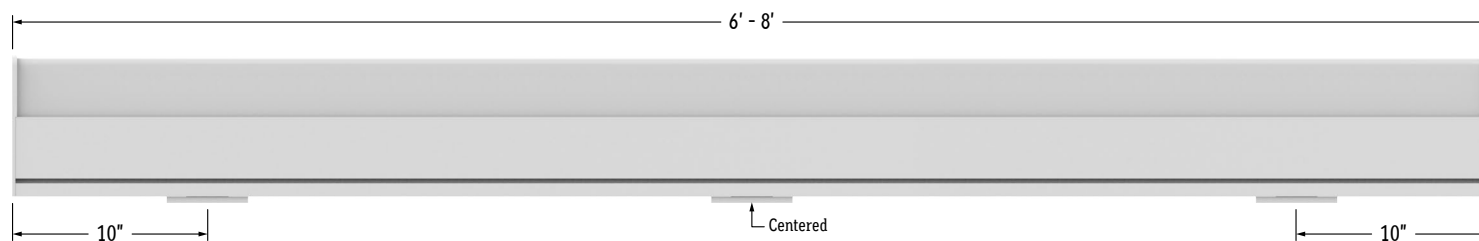
5. Screw Mounting Plates to surface, then snap luminaire into Mounting Plates.



MOUNTING GUIDELINES



- For luminaires up to 5'11" in length, 2 Mounting Plates must be used.
- Each luminaire ships with holes pre-drilled for attaching the mounting plates. Each hole is 10" from the end of fixture to the center of the hole.



- For luminaires 6' - 8' in length, 3 Mounting Plates must be used.
- Each luminaire ships with holes pre-drilled for attaching the mounting plates. Two holes are 10" from the end of fixture to the center of the hole, the third hole is centered on the fixture.