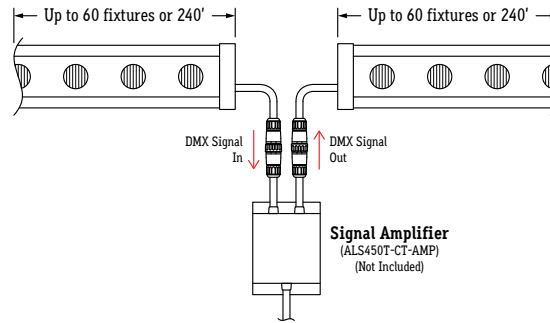


## Perspective View



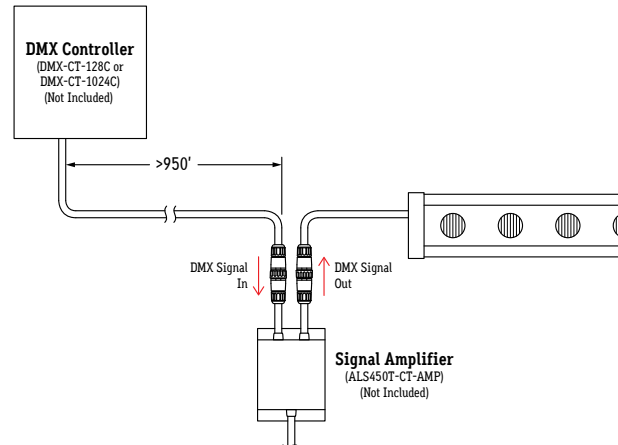
1. Determine if ALS450T-CT-AMP will be needed. A signal amplifier must be used for continuous data runs of more than 60 fixtures or 240'.

**Note:** The signal amplifier does not affect the number of fixtures that can be wired to a single power source.



2. A signal amplifier must be used for any data cable run longer than 950'.

**Example:** The DMX controller is mounted over 950' away from the first run.

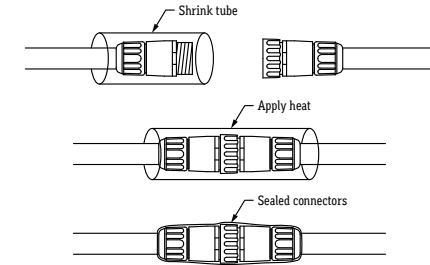


3. Mark location where signal amplifier will be installed and pre-drill using proper drill bit for surface and screw size.

4. Screw signal amplifier to surface using proper screws for surface.

5. Slide shrink tube over connectors, then connect the male connector from the last fixture of run to the female connector on the signal amplifier, then connect the male connector on the signal amplifier to the female connector on the next run of fixtures. Push and twist cap to lock connector. Apply heat to seal shrink tube around connectors.

**Note:** Do not use a lighter, flame, or like means to heat shrink tube.



6. Connect signal amplifier to 120V power source.

